



AIR160 PL-L UV-C lamp

General specifications table

Name	: 60 watt PL-L UV-C lamp
Brand	: Philips Europe
Applicable for	: Disinfection of air
Product dimensions	: 42 x 1,8 x 3,8 cm
UV-C output emission	: Peak at 253,7 nm
Article number	: 2.25.1050
Packing volume	: 1
Voltage	: 84 volt
Weight	: 96 gr.
Lamp connector	: 2G11
Power	: 60 Watt
Lamp current	: 0,80 A
Lifetime	: 9.000 hrs
UV-C value at begin of lamp life	: 19 Watt
UV-C output drop end of lamp life	: 15%
HS code	: 853939
Storage time	: Min 5 years under dry conditions

Warnings and Safety

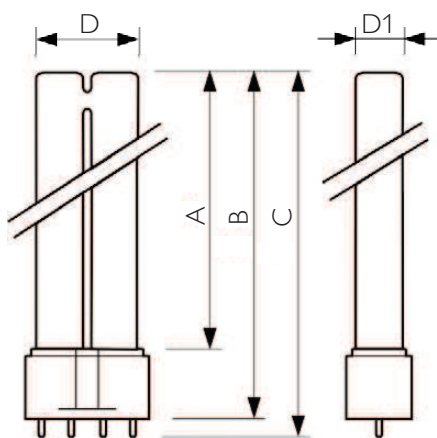
- A lamp breaking is extremely unlikely to have any impact on your health. If a lamp breaks, ventilate the room for 30 minutes and remove the parts, preferably with gloves.

Put them in a sealed plastic bag and take it to your local waste facilities for recycling. Do not use a vacuum cleaner.

• DANGER:

- Risk Group 3 Ultra Violet product. These lamps emit high-power UV radiation that can cause severe injury to skin and eyes.
- Avoid eye and skin exposure to unshielded product. Use only in an enclosed environment which shields users from the radiation.

Dimensional drawing lamp



60 watt PL-L UV-C lamp

Lamp	D1	D	A	B	C
	18 mm	38 mm	390 mm	415 mm	420 mm

Photometric data

UV-C output graph

